

Series AY(U)- 85°C 10.000 h

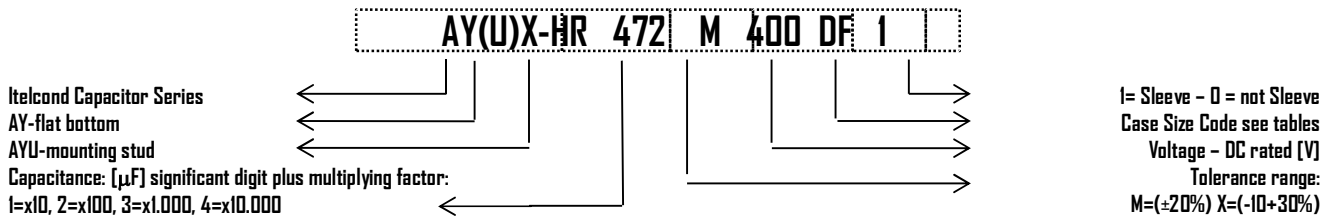
Capacitors screw terminal type – Long Useful Life

- AY- Flat Bottom
- AYU- Mounting Stud
- Capacitance Tolerance: -20 + 20% - standard (M)
- Capacitance Tolerance: -10 + 30% - on request (X)
- Climatic category: 40/85/56
- Case: 51x105 – 90 x 222
- Temperature – 40°C + 85°C
- All welded construction reliable electrical contact

Mechanical Outlines

- Case: aluminium made
- Terminals: screw
- Sealing: hermetic by EPR gasket, on a resin cover
- Pressure Release Vent: silicone-rubber
- Sleeve: self-extinguishing thermo shrinkable
- Size: see enclosed drawings
- Mounting Hardware: see hardware section
- External Material UL94-V0

Ordering Code: Example



Ripple Current

The allowable values of ripple current in Ampères, are related to the temperature and frequency by following equation:

$$I_{\text{Ripple}} = K_t \cdot K_f \cdot I_{\text{Ripple}@85^\circ\text{C}}$$

Where:

- $I_{\text{Ripple}@85^\circ\text{C}}$ is the limit given by tables, @ 85°C/100HZ
- K_t is the Temperature Correlation Factor
- K_f is the Frequency Correlation Factor

Note .Superimposed alternating voltage summed to DC volage must not exceed rated voltage, rated ripple current must not be exceeded and no reverse polarity is allowed

°C	40	55	65	75	85
K_t	1.65	1.50	1.40	1.20	1.00

Table 1- K_t Values

V_n /Hz	K_f			
	$50 < V < 300$		$V > 300$	
	Diameter Code A,B		Diameter Code C,D,E	
50	0.79	0.76	0.78	0.72
100	1.00	1.00	1.00	1.00
120	1.04	1.04	1.02	1.03
200	1.12	1.17	1.06	1.14
300	1.16	1.28	1.08	1.24
400	1.20	1.35	1.09	1.29
500	1.22	1.39	1.09	1.32
>1000	1.25	1.45	1.09	1.37

Table 2- K_f Values

Expected Lifetime End of Life Criteria

During useful life typical electrical parameters of electrolytic capacitor are subject to change.

End of Life criteria, when rated temperature, voltage and ripple are applied, are:

$$\frac{\Delta C}{C_{t0}} \leq 30\% \quad \text{Equation 1}$$

$$ESR \leq 3 \cdot ESR_{t0} \quad \text{Equation 2}$$

$$I_f \leq I_{ft0} \quad \text{Equation 3}$$

where t_0 is the initial value

Voltage Endurance Test Requirements

On Voltage Endurance Test are based Expected Lifetime Curves.

End of Life criteria, when rated temperature, and voltage are applied for 2'000hrs, are

$$\frac{\Delta C}{C_{t0}} \leq 15\% \quad \text{Equation 4}$$

$$ESR \leq 1,3 \cdot ESR_{t0} \quad \text{Equation 5}$$

$$I_f \leq I_{ft0} \quad \text{Equation 6}$$

where t_0 is the initial value

Expected Lifetime Vs Temperature and Ripple Current

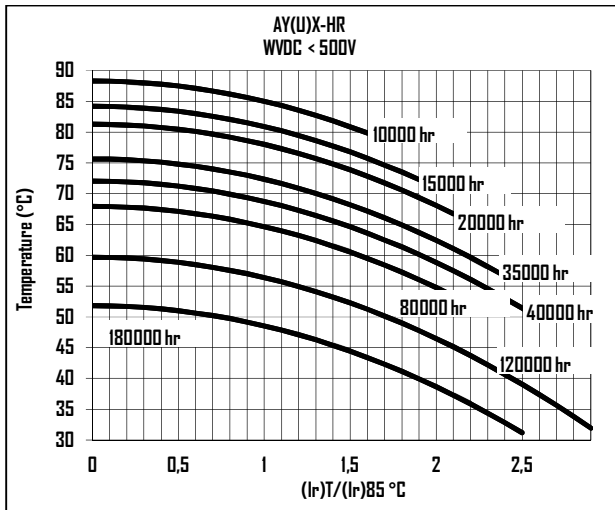


Table 3

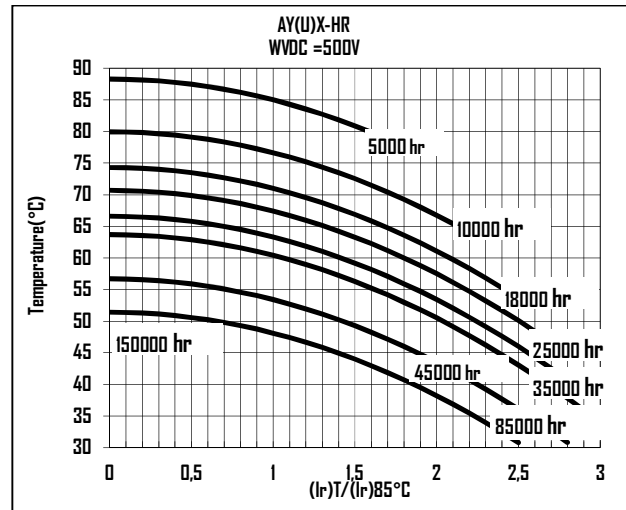


Table 4

Leakage Current

After the rated voltage has been applied to the capacitor for 5 minutes the leakage current must be within those limits.

Maximum limit	@25°C	$I_f \leq 0,004 \times C \times V$
Operating limit	@25°C	$I_f \leq 0,001 \times C \times V$

Where: I_f =leakage current [μ A], C =capacitance [μ F], V =rated voltage [V]

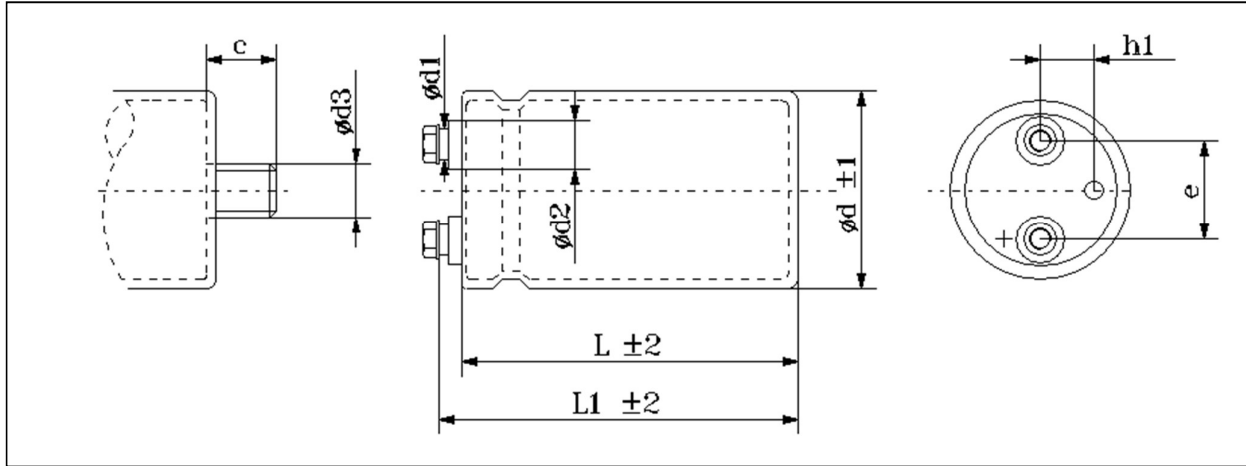
Surge Voltage

Working Voltage	40	63	75	100	160	200	250	350	400	420	450	500
Surge Voltage	46	73	86	115	185	230	290	385	440	460	495	525

	Capacitance	Case	Diam	Height	Tanδ	ESRmax typ		Zmax	Iripple @100Hz		Ordering Code
	[μF]@100Hz		[mm]	[mm]	[%]@100Hz	[mΩ]@100Hz	[mΩ]@10KHz	[mΩ]@10KHz	[A]@55°C	[A]@85°C	(U) for mounting stud
40	10000	AA	35	50	0,27	43	34	32	7,3	5,2	AY(U)X-HR103M040AAI
	15000	AB	35	83	0,35	37	30	28	13,4	9,6	AY(U)X-HR153M040ABI
	22000	AC	35	105	0,42	30	24	23	16,6	11,8	AY(U)X-HR223M040ACI
	33000	BB	51	83	0,45	22	17	16	21,7	15,5	AY(U)X-HR333M040BBI
	47000	BB	51	83	0,48	16	13	12	25,1	17,9	AY(U)X-HR473M040BBI
		BC	51	105	0,51	17	14	13	27,0	19,3	AY(U)X-HR473M040BCI
	100000	CC	63	107	0,70	11	9	8	38,1	27,2	AY(U)X-HR104M040CCI
150000	DC	76	107	0,90	10	8	7	45,8	32,7	AY(U)X-HR154M040DCI	
63	22200	BB	51	83	0,26	19	15	14	17,1	12,2	AY(U)X-HR223M063BBI
		BC	51	105	0,24	17	14	13	19,7	14,1	AY(U)X-HR223M063BCI
	33000	BC	51	105	0,28	14	11	10	22,3	15,9	AY(U)X-HR333M063BCI
		CC	63	105	0,27	13	10	10	25,8	18,4	AY(U)X-HR333M063CCI
	47000	CC	63	105	0,30	10	8	8	29,2	20,9	AY(U)X-HR473M063CCI
	68000	DC	76	105	0,36	8	7	6	35,4	25,3	AY(U)X-HR683M063DCI
100000	DF	76	145	0,40	6	5	5	47,1	33,7	AY(U)X-HR104M063DFI	
100	10000	BB	51	83	0,12	19	15	14	16,9	12,1	AY(U)X-HR103M100BBI
		BC	51	105	0,1	16	13	12	20,6	14,7	AY(U)X-HR103M100BCI
	15000	BC	51	105	0,11	12	9	9	24,0	17,1	AY(U)X-HR153M100BCI
	22200	CC	63	105	0,15	11	9	8	28,3	20,2	AY(U)X-HR223M100CCI
		DC	76	105	0,14	10	8	8	32,5	23,2	AY(U)X-HR223M100DCI
	33000	DC	76	105	0,18	9	7	7	35,2	25,1	AY(U)X-HR333M100DCI
		DF	76	145	0,16	8	6	6	42,8	30,6	AY(U)X-HR333M100DFI
47000	DF	76	145	0,18	6	5	5	48,1	34,4	AY(U)X-HR473M100DFI	
160	4700	BC	51	105	0,1	34	27	25	14,1	10,1	AY(U)X-HR472M160BCI
		CC	63	105	0,09	30	24	23	16,9	12,0	AY(U)X-HR472M160CCI
	6800	DC	76	105	0,1	23	19	18	21,4	15,3	AY(U)X-HR682M160DCI
	10000	DC	76	105	0,11	18	14	13	24,8	17,7	AY(U)X-HR103M160DCI
	15000	DF	76	145	0,12	13	10	10	33,3	23,8	AY(U)X-HR153M160DFI
	22200	DF	76	145	0,15	11	9	8	36,1	25,8	AY(U)X-HR223M160DFI
EF		90	222	0,14	10	8	8	49,1	35,1	AY(U)X-HR223M160EFI	
200	3300	BC	51	105	0,10	48	39	36	11,8	8,4	AY(U)X-HR332M200BCI
	4700	CC	63	105	0,10	34	27	25	16,0	11,4	AY(U)X-HR472M200CCI
		DC	76	105	0,09	30	24	23	18,8	13,4	AY(U)X-HR472M200DCI
	6800	DC	76	105	0,10	23	19	18	21,4	15,3	AY(U)X-HR682M200DCI
	10000	DF	76	145	0,11	18	14	13	28,4	20,3	AY(U)X-HR103M200DFI
	15000	DF	76	145	0,12	13	10	10	33,3	23,8	AY(U)X-HR153M200DFI
	22200	DF	76	145	0,12	9	7	7	40,3	28,8	AY(U)X-HR223M200DFI
DK		76	165	0,12	9	7	7	42,7	30,5	AY(U)X-HR223M200DKI	
33000	DK	76	165	0,12	6	5	4	52,3	37,4	AY(U)X-HR333M200DKI	
250	2220	BB	51	83	0,09	65	52	49	9,2	6,5	AY(U)X-HR222M250BBI
		BC	51	105	0,08	58	46	43	10,8	7,7	AY(U)X-HR222M250BCI
	3300	BC	51	105	0,10	48	39	36	11,8	8,4	AY(U)X-HR332M250BCI

	Capacitance	Case	Diam	Height	Tanδ	ESRmax typ		Zmax	Iripple @100Hz		Ordering Code
	[μF]@100Hz		[mm]	[mm]	[%]@100Hz	[mΩ]@100Hz	[mΩ]@10KHz	[mΩ]@10KHz	[A]@55°C	[A]@85°C	(U) for mounting stud
250	3300	CC	63	105	0,09	43	35	33	14,1	10,1	AY(U)X-HR332M250CC1
	4700	DC	76	105	0,10	34	27	25	17,8	12,7	AY(U)X-HR472M250DC1
	6800	DC	76	105	0,10	23	19	18	21,4	15,3	AY(U)X-HR682M250DC1
	10000	DF	76	145	0,10	16	13	12	29,8	21,3	AY(U)X-HR103M250DF1
		EC	90	105	0,10	16	13	12	28,6	20,5	AY(U)X-HR103M250EC1
15000	DF	76	145	0,10	11	8	8	36,5	26,1	AY(U)X-HR153M250DF1	
350	2220	BC	51	105	0,09	65	52	49	10,2	7,3	AY(U)X-HR222M350BC1
	3300	CC	63	105	0,09	43	35	33	14,1	10,1	AY(U)X-HR332M350CC1
		DC	76	105	0,08	39	31	29	16,7	11,9	AY(U)X-HR332M350DC1
	4700	DC	76	105	0,09	30	24	23	18,8	13,4	AY(U)X-HR472M350DC1
		DF	76	145	0,08	27	22	20	22,8	16,3	AY(U)X-HR472M350DF1
	6800	DF	76	145	0,08	19	15	14	27,5	19,6	AY(U)X-HR682M350DF1
		DJ	76	222	0,09	21	17	16	31,2	22,3	AY(U)X-HR682M350DJ1
		EC	90	105	0,11	26	21	19	22,5	16,1	AY(U)X-HR682M350EC1
	10000	DF	76	145	0,11	18	14	13	28,4	20,3	AY(U)X-HR103M350DF1
		DJ	76	222	0,10	16	13	12	35,9	25,6	AY(U)X-HR103M350DJ1
		EC	90	105	0,10	16	13	12	28,6	20,5	AY(U)X-HR103M350EC1
	15000	DF	76	145	0,10	11	8	8	36,5	26,1	AY(U)X-HR153M350DF1
		DJ	76	222	0,10	11	8	8	44,0	31,4	AY(U)X-HR153M350DJ1
		EF	90	145	0,12	13	10	10	36,6	26,2	AY(U)X-HR153M350EF1
		EJ	90	222	0,12	13	10	10	44,0	31,4	AY(U)X-HR153M350EJ1
18000	EF	90	145	0,12	11	8	8	40,1	28,7	AY(U)X-HR183M350EF1	
22200	EJ	90	222	0,12	9	7	7	53,3	38,1	AY(U)X-HR223M350EJ1	
27000	EJ	90	222	0,12	7	6	5	59,0	42,2	AY(U)X-HR273M350EJ1	
400	1500	BB	51	83	0,10	106	85	80	7,2	5,1	AY(U)X-HR152M400BB1
		BC	51	105	0,10	106	85	80	8,0	5,7	AY(U)X-HR152M400BC1
	2220	BC	51	105	0,10	72	58	54	9,6	6,9	AY(U)X-HR222M400BC1
		CC	63	105	0,09	65	52	49	11,5	8,2	AY(U)X-HR222M400CC1
		DC	76	105	0,08	58	46	43	13,6	9,7	AY(U)X-HR222M400DC1
	3300	CC	63	105	0,09	43	35	33	14,1	10,1	AY(U)X-HR332M400CC1
		DC	76	105	0,09	43	35	33	15,7	11,2	AY(U)X-HR332M400DC1
		DF	76	145	0,09	43	35	33	18,0	12,9	AY(U)X-HR332M400DF1
	4700	DC	76	105	0,10	34	27	25	17,8	12,7	AY(U)X-HR472M400DC1
		DF	76	145	0,09	30	24	23	21,5	15,4	AY(U)X-HR472M400DF1
	6800	DF	76	145	0,08	19	15	14	27,5	19,6	AY(U)X-HR682M400DF1
	10000	DJ	76	222	0,11	18	14	13	34,2	24,5	AY(U)X-HR103M400DJ1
EF		90	145	0,11	18	14	13	31,2	22,3	AY(U)X-HR103M400EF1	
15000	EJ	90	222	0,08	8	7	6	53,9	38,5	AY(U)X-HR153M400EJ1	
18000	EJ	90	222	0,08	7	6	5	59,0	42,2	AY(U)X-HR183M400EJ1	

	Capacitance	Case	Diam	Height	Tanδ	ESRmax typ		Zmax	Iripple @100Hz		Ordering Code
	[μF]@100Hz		[mm]	[mm]	[%]@100Hz	[mΩ]@100Hz		[mΩ]@10KHz	[A]@55°C	[A]@85°C	(U) for mounting stud
450	1000	BB	51	83	0,12	191	153	143	5,4	3,8	AY(U)X-HR102M450BB1
	1500	BB	51	83	0,11	117	93	88	6,8	4,9	AY(U)X-HR152M450BB1
		BC	51	105	0,10	106	85	80	8,0	5,7	AY(U)X-HR152M450BC1
	2220	CC	63	105	0,12	87	69	65	10,0	7,1	AY(U)X-HR222M450CC1
		DC	76	105	0,11	80	64	60	11,6	8,3	AY(U)X-HR222M450DC1
	3300	DC	76	105	0,12	58	46	43	13,6	9,7	AY(U)X-HR332M450DC1
		DF	76	145	0,1	48	39	36	17,1	12,2	AY(U)X-HR332M450DF1
	4700	DF	76	145	0,12	41	33	30	18,6	13,3	AY(U)X-HR472M450DF1
		EC	90	105	0,11	37	30	28	18,7	13,4	AY(U)X-HR472M450EC1
	6800	DF	76	145	0,13	30	24	23	21,6	15,4	AY(U)X-HR682M450DF1
DJ		76	222	0,12	28	22	21	27,0	19,3	AY(U)X-HR682M450DJ1	
10000	DJ	76	222	0,12	19	15	14	32,8	23,4	AY(U)X-HR103M450DJ1	
	EJ	90	222	0,12	19	15	14	35,9	25,7	AY(U)X-HR103M450EJ1	
15000	EJ	90	222	0,13	14	11	10	42,3	30,2	AY(U)X-HR153M450EJ1	
500	1000	BC	51	105	0,13	207	166	155	5,7	4,1	AY(U)X-HR102M500BC1
	1500	DC	76	105	0,13	138	110	104	8,8	6,3	AY(U)X-HR152M500DC1
	2220	CC	63	105	0,13	94	75	71	9,6	6,9	AY(U)X-HR222M500CC1
		DC	76	105	0,13	94	75	71	10,7	7,6	AY(U)X-HR222M500DC1
		DF	76	145	0,13	94	75	71	12,3	8,8	AY(U)X-HR222M500DF1
	3300	DF	76	145	0,12	58	46	43	15,6	11,2	AY(U)X-HR332M500DF1
	3900	DF	76	145	0,12	49	39	37	17,0	12,1	AY(U)X-HR392M500DF1
	4400	DF	76	145	0,12	43	35	33	18,0	12,9	AY(U)X-HR442M500DF1
	4700	DF	76	145	0,12	41	33	30	18,6	13,3	AY(U)X-HR472M500DF1
	5600	DF	76	145	0,12	34	27	26	20,4	14,5	AY(U)X-HR562M500DF1
6800	DJ	76	222	0,12	28	22	21	26,9	19,2	AY(U)X-HR682M500DJ1	
10000	EJ	90	222	0,12	19	15	14	35,8	25,6	AY(U)X-HR103M500EJ1	

Dimension, Quantity and Weight for box


Case				Connections							Mounting Stud			Packaging	
Code	DxL	L1	h1	d1	d2	e	Terminal	Screw			Screw			Pcs/Box	Weight/box
							Code	Thread	Torque	Lenght	d3	c	Torque		
BB	51x81	85	13	8	13	22.2	X	M5	2,0	10	M12	16	10Nm	30	6-9
BC	51x105	109	13	8	13	22.2	X	M5	2,0	10	M12	16	10Nm	30	6-9
CC	63x105	111	16	8	13	28.6	X	M5	2,0	10	M12	16	10Nm	20	6-8
DC	76x105	111	19	8	13	31.8	X	M5	2,0	10	M12	16	10Nm	12	5-7
DF	76x145	151	19	8	13	31.8	X	M5	2,0	10	M12	16	10Nm	12	6-14
				18	23		G	M6	2,5						
DK	76x165	173	19	8	13	31.8	X	M5	2,0	10	M12	16	10Nm	12	6-14
				18	23		G	M6	2,5						
DJ	76x222	222	19	8	18	31.8	X	M5	2,0	10	M12	16	10Nm	8	9-11
				18	23		G	M6	2,5						
EC	90x105	112	19	18	23	31,8	G	M6	2,5	10	M12	16	10Nm	6	7-9
EF	90x145	151	19	18	23	31,8	G	M6	2,5	10	M12	16	10Nm	6	9-11
EJ	90x222	227	19	18	23	31,8	G	M6	2,5	10	M12	16	10Nm	6	8-12

All dimensions in mm, torque in Nm, weight in kg

