

LEB-0024 CPC1601M Solid State Relay Evaluation Board

Introduction

The Littelfuse CPC1601M is a non-isolated, low operating current, 1-Form-A normally open solid state latching relay. It comes in a small 3 x 3 mm DFN package. The purpose of this user manual is to demonstrate the design and use of the Littelfuse CPC1601M solid state relay (SSR) evaluation board as displayed in Figure 1. Equipped with operation mode selection, signal inputs, and tactile switches, the board can be used to evaluate the CPC1601M in manual operation or through external control signals.

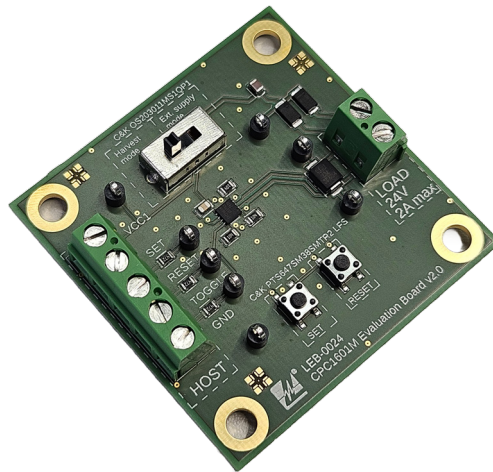


Figure 1. CPC1601M SSR evaluation board

Features

Device CPC1601M:

- 60 V peak AC or DC operation
- 2 A continuous load capability AC or DC
- Low on-resistance of typically 325 mΩ
- Set/Reset or Toggle operation
- 3...5.5 V operation
- <1 μA supply current
- Load-harvested power pin for powering external circuitry up to 10 mW
- Zero current from system power supply in load harvest mode
- No moving parts

Evaluation Board:

- Manual SSR load switching using C&K tactile switches
- External SSR control option through PCB control signal inputs
- Selection between external supply/energy harvesting mode through C&K slide switch
- SSR overvoltage protection through Littelfuse TVS

Contact Information

For more information on the evaluation board and application support, contact the Littelfuse Power Semiconductor team of product and applications experts: PowerSemiSupport@Littelfuse.com

Important Notes

Disclaimer Notice: The Customer (individually or, if you are acting on behalf of a company, the company) agrees to use the Evaluation Board solely for this purpose and subject to the terms of this Notice.

The design of the Evaluation Board has been tested by Littelfuse only as described in this document. The design is not qualified in terms of safety requirements, manufacturing and operation over the entire operating temperature range or lifetime.

The Evaluation Board is an engineering tool intended solely for laboratory use by qualified and experienced electrical engineers to evaluate the performance of Littelfuse power semiconductors and integrated circuit products according to the terms and conditions set forth in this document or other related documents supplied with the respective Evaluation Board. The Evaluation Board should not be used at all or as part of a finished product.

The Evaluation Board provided by Littelfuse is subject to functional testing only under typical load conditions. Evaluation Board is not subject to the same procedures as regular products regarding returned material analysis (RMA), process change notification (PCN) and product discontinuation (PD). Applications described are for illustrative purposes only and Littelfuse makes no representation that such applications will be suitable for the customer's specific use without further testing or modification.

Evaluation Boards are not commercial products and are intended solely for testing and evaluation purposes. They should not be used for reliability testing or production. As a result, the Evaluation Board may not comply with product-specific standards. The Customer must ensure that the Evaluation Board is handled in compliance with relevant requirements and standards of the country in which they are operated.

It is the responsibility of the Customer's technical departments to evaluate the suitability of the Evaluation Board for the intended application, based on their own performance criteria, conditions, specific application, compatibility with other components, and environmental conditions further to evaluate the completeness and correctness of the information provided in this document with respect to such application. The Customer is obliged to ensure that the use of the Evaluation Board does not cause any harm to persons or third-party property. The Evaluation Board and any information in this document is provided "as is" and Littelfuse disclaims any warranties, express or implied, including but not limited to warranties of non-infringement of third-party rights and implied warranties of fitness for any purpose, or for merchantability. There is no representation that operation of the Evaluation Board will be uninterrupted or error free.

Littelfuse shall not be responsible for any damages resulting from the use of the Evaluation Board and/or from any information provided in this document. The Customer is obliged to defend, indemnify and hold Littelfuse harmless from and against any claims or damages arising out of or resulting from any use thereof. Littelfuse reserves the right to modify this document and/or any information provided herein at any time without further notice.

The Evaluation Board is not a standard consumer or commercial product. As a result, any indemnification obligations imposed upon Littelfuse by contract with respect to product safety, product liability, or intellectual property infringement do not apply to the Evaluation Board.

Table of Contents

1. Overview.....	4
2. Pin Assignments	5
3. Schematics.....	6
4. Bill of Material	7
5. PCB Layout	7
6. PCB Assembly Data.....	8

List of Figures

Figure 1.CPC1601M SSR evaluation board	1
Figure 2.Top view of the CPC1601M evaluation board	4
Figure 3.CPC1601M evaluation board schematics.....	6
Figure 4.PCB layers	7
Figure 5.PCB assembly	8

1. Overview

The top view of the CPC1601M evaluation board is shown in Figure 2. The unit includes input and load circuit terminal blocks along with C&K switches for mode selection and manual relay operation.

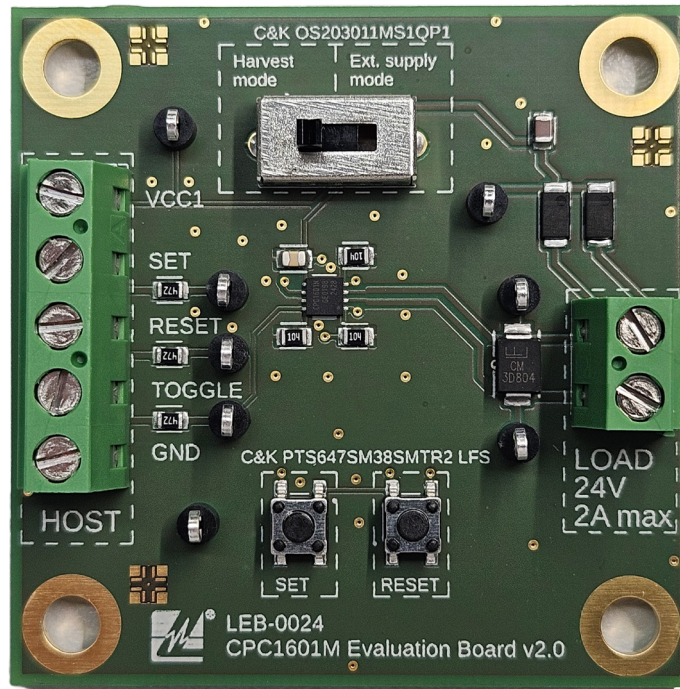


Figure 2. Top view of the CPC1601M evaluation board

Table 1 contains the operating conditions of the evaluation board.

Table 1. Operating conditions of the CPC1601M evaluation board

Symbol	Parameter	Value			Unit
		Min.	Typ.	Max.	
V_{CC1}	Board supply voltage	3	–	5.5	V
V_{IH}	Control signal input voltage high threshold (SET, RESET, TOGGLE)	1.4	–	–	V
V_{IL}	Control signal input low threshold (SET, RESET, TOGGLE)	–	–	0.5	V
HV_{CC}	Load circuit blocking voltage/ max. harvest mode supply voltage	–	–	60	V
	Load circuit operating voltage	–	24	–	V
T_{amb}	Operating ambient temperature	0	25	50	°C

2. Pin Assignments

Table 2 describes the electrical connections of the evaluation board.

Table 2. Pin assignments of the CPC1601M evaluation board

Connector Name	Pin Number	Pin Name	Description
X1	1	V _{CC1}	SSR external power supply pin
X1	2	SET(HOST)	SET control signal input
X1	3	RESET(HOST)	RESET control signal input
X1	4	TOGGLE(HOST)	TOGGLE control signal input
X1	5	V _{SS}	GND connection
X2	1	Load1	Load circuit input 1
X2	2	Load2	Load circuit input 2
–	–	TP1	GND reference test points
–	–	TP2	Supply input test point
–	–	TP3	SET input test point
–	–	TP4	RESET input test point
–	–	TP5	TOGGLE input test point
–	–	TP6	Load harvest SSR input voltage test point
–	–	TP9	Load input 1 test point
–	–	TP10	Load input 2 test point

3. Schematics

Figure 3 displays the evaluation board's schematic. External supply and control input signals can be provided via the terminal block X1. The load circuit is connected on X2. Via the slide switch S3, the mode of operation can be chosen. In middle switching position, the CPC1601M IC is not supplied and remains off. When the switch is in external supply mode, an external voltage source must be connected at Pin 1 of X1. In energy harvesting mode, the power is supplied by the load. This requires operating the load circuit with AC voltage. Additional information on the energy harvesting mode is available in the CPC1601M datasheet.

Regardless of the operating mode, the tactile switches S1 and S2 can be used for SET and RESET of the SSR. Alternatively, the CPC1601M solid state relay can also be controlled externally. The control signals SET, RESET, and TOGGLE are connected to X1.

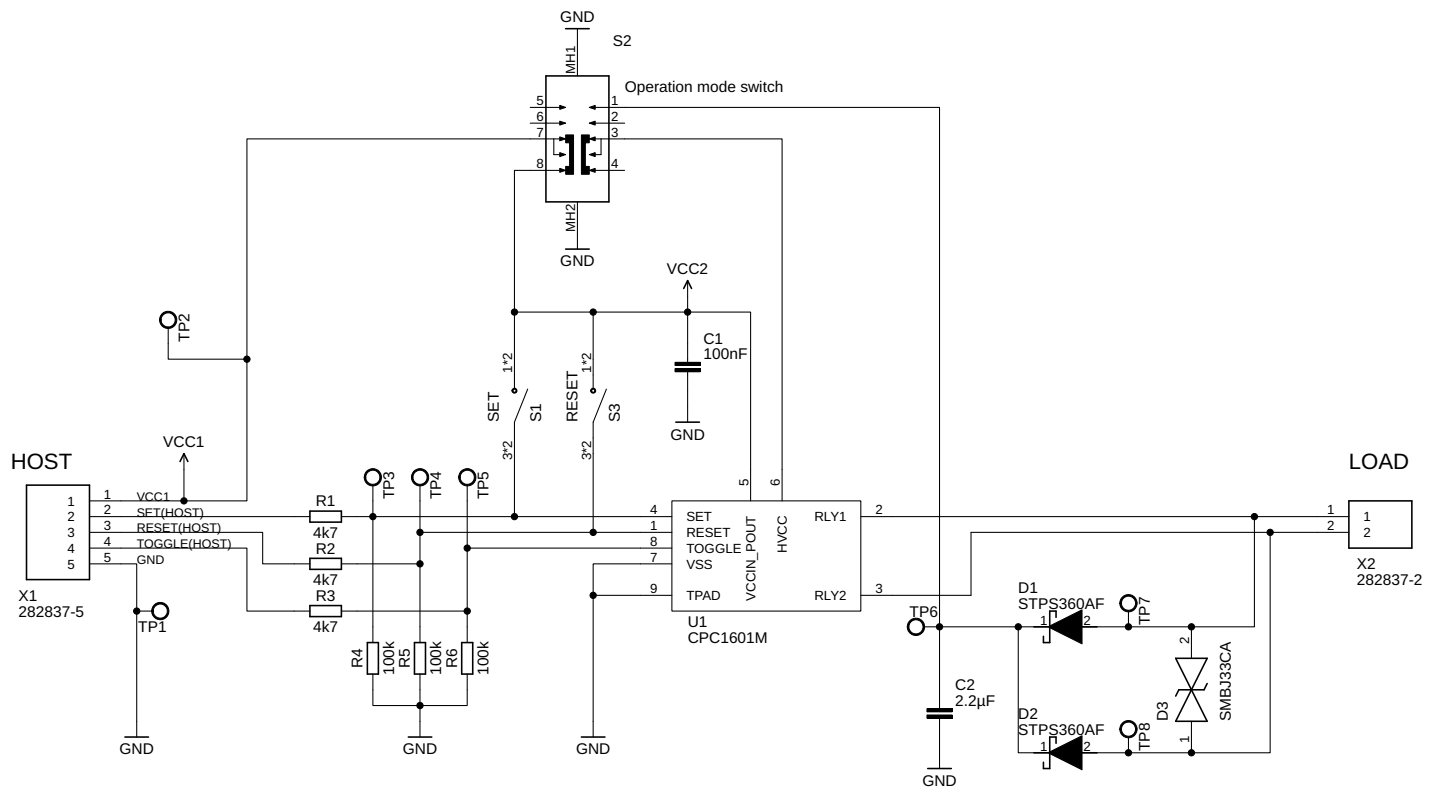


Figure 3. CPC1601M evaluation board schematics

4. Bill of Material

Table 3 lists the components used for the evaluation board.

Table 3. Bill of materials for the CPC1601M evaluation board

Item	Quantity	Reference	Value	Description	Manufacturer	MPN
1	–	C2	2.2 μ F	Cap 2,2 μ F 100 V 10 % X7R 0805	-generic-	–
2	–	C1	100 nF	Cap 100 nF 50 V 10 % X7R 0805	-generic-	–
3	–	R1, R2, R3	4.7 k Ω	Res 4.7 k Ω 10 % 0805	-generic-	–
4	–	R4, R5, R6	100 k Ω	Res 100 k Ω 10 % 0805	-generic-	–
5	–	D1, D2	–	SCHOTTKY RECTIFIER, 60 V, 3 A	ST Microelectronics	STPS360AF
6	–	D3	–	TVS Diode, 600 W, 33 V	Littelfuse	SMBJ33CA
7	–	U1	–	60 V, 2 A 1-Form-A Solid State Latching Relay	Littelfuse	CPC1601M
8	–	S2	–	Slide Switch	C&K/Littelfuse	OS203011MS1QP1
9	–	S1, S3	–	Tactile Switch SPST-NO Top Actuated	C&K/Littelfuse	PTS647SM38SMTR2 LFS
10	1	X2	–	Terminal block 2P, 5.08 mm pitch	TE Connectivity	282837-2
11	1	X1	–	Terminal block 5P, 5.08 mm pitch	TE Connectivity	282837-5
12	8	TP1, TP2, TP3, TP4, TP5, TP6, TP7, TP8	–	Testpoint THT	Keystone	5006

5. PCB Layout

Figure 4 depicts the copper layers of the PCB.

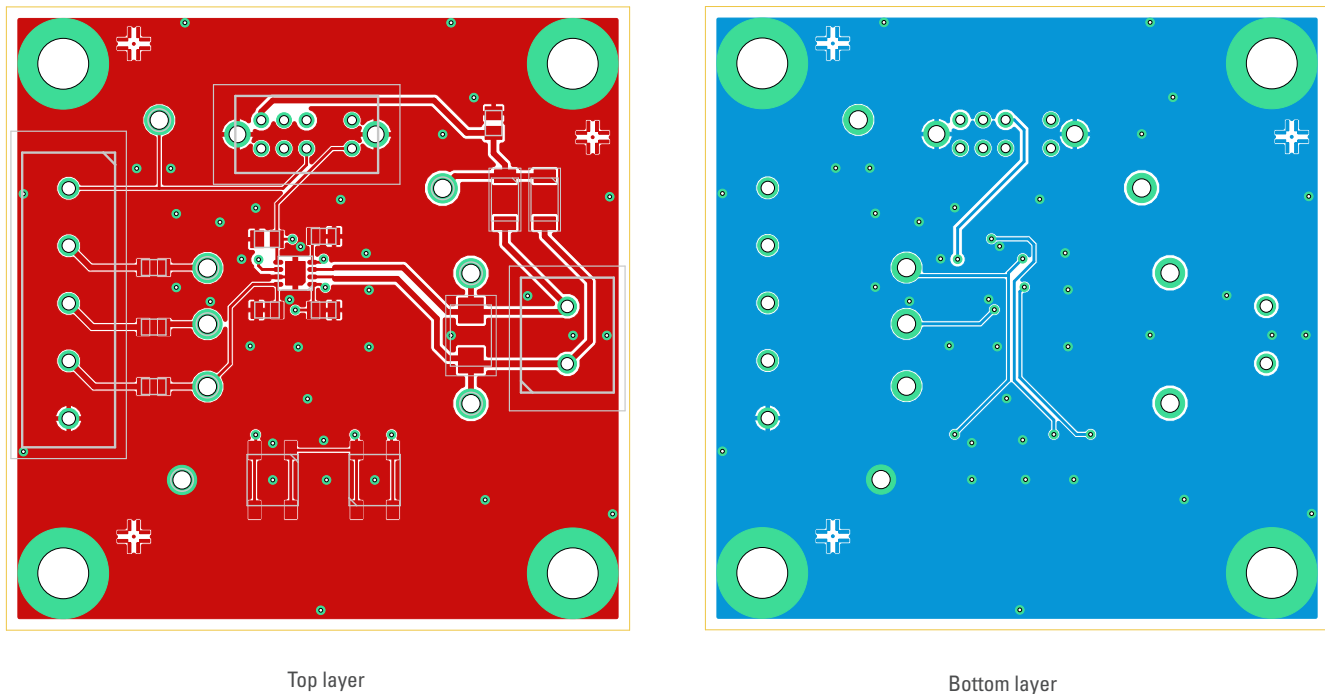


Figure 4. PCB layers

6. PCB Assembly Data

Figure 5 represents the PCB assembly, including the mechanical dimensions of the evaluation board.

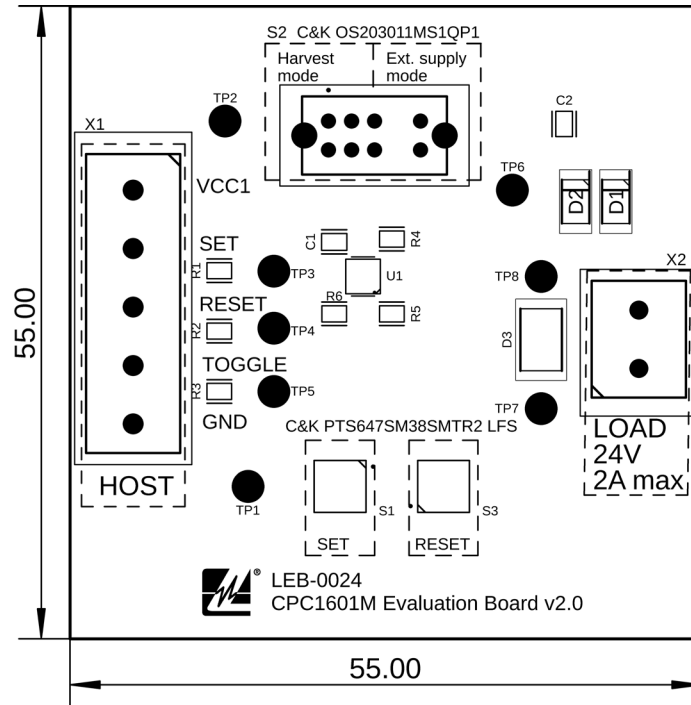


Figure 5. PCB assembly

Revision History

Date	Revision	Changes
March 2025	1.0	Initial Release